

# KitchenAid

This Data Sheet Includes Information On

## KitchenAid

### Product Model Number (s):

48" Built-In Refrigerators:  
KSSS48QDX and KSSS48QDW  
Kits: 4378652, 4378658, 4378655 and 4378661

### Dimensions (Actual Size)

- Depth protruding door installation: 23 1/2"
- Depth flush door installation: 25"
- Depth protruding vent panel: 25 1/8"
- Unit width: 48"
- Unit height 0" leg adjustment: 83 1/2"
- Unit height full leg adjustment: 84 3/4"
- Amount of leg adjustment: 1 1/4"
- Height of unit body 0" leg adjustment: 83"
- Minimum finished rough opening width: 47 1/2"
- Finished rough opening maximum height: 84 3/4"
- Finished rough opening minimum height: 83 1/4"
- Minimum rough opening depth: 23 1/2"
- Floor to door, 0" leg adjustment: 3 3/8"

### Additional Information

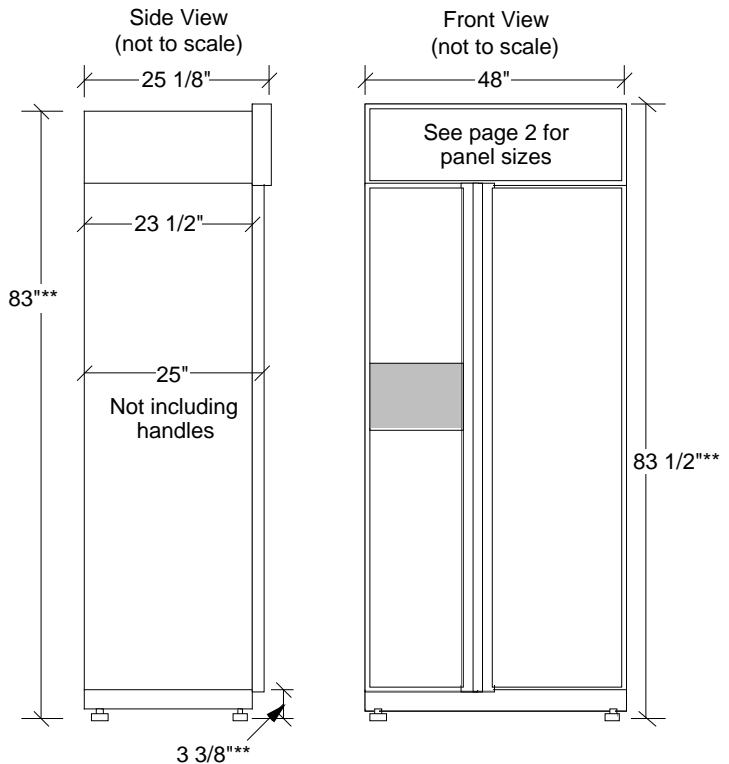
- Assure that floor will support refrigerator weight (more than 600 pounds, door panels, and contents).
- Assure that location will permit appliance doors to open 90° minimum. Allow 1" minimum space between refrigerator side and corner wall.
- **IMPORTANT:** If there is more than one inch clearance between the top of the unit and the ceiling/soffit above or if the soffit is not secure (a facade) you must install two 2"x4"x32" wood boards on the wall 1/4" above the refrigerator cover. Boards must be long enough to fully cover width of compressor cover.
- Electrical requirements - 115volt, 60hz., AC only, 20 ampere, fused, electrical supply is required. A separate time delay fuse or circuit breaker is recommended.
- Waterline must provide 15-100 psi water pressure. 1/4" O.D. supply line needed.
- Tipping radius: Forward/backward tipping = 87 1/4". Side tipping radius = 96".

See page 2-3 for additional information

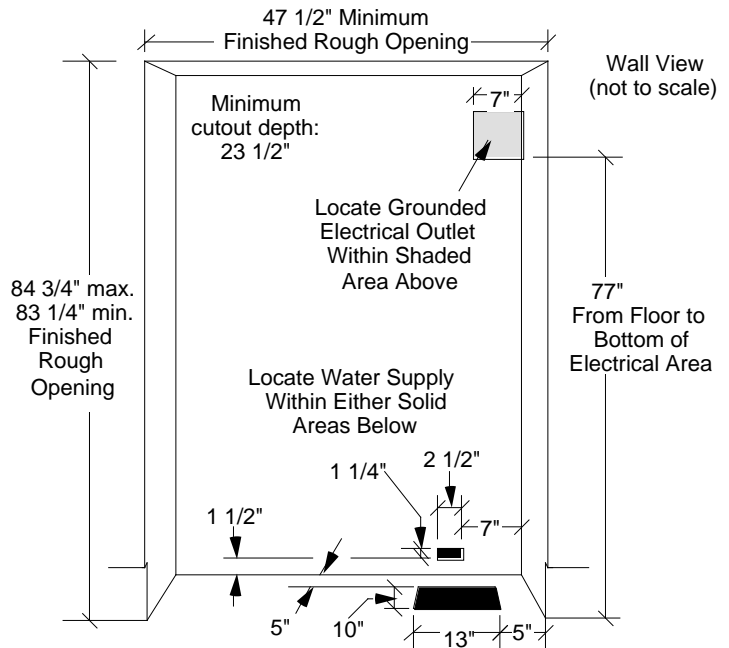
Subject to change without notice. This system is designed to be updated daily if necessary. Dimension Express is not responsible for use of superseded, voided, or outdated data sheets. Because of the difficulty or impracticability of determining actual damages, liability of Dimension Express shall not exceed \$50.00.

Copyright © Dimension Express, 1997.

231



\*\* Dimensions shown are at 0" of leg adjustment



• NEVER reuse Data Sheets. Data Sheets are subject to change without notice. Dimension Express is a FREE service bureau and is updated daily, it makes far more sense to spend the time necessary to request new Data Sheets for each project, as opposed to the problems, time, costs, and risks associated with reusing old Data Sheets.

- Call Dimension Express if you have any questions at (702) 833-3633 •
- Always refer to a current Code at a Glance or manufacturer directory •
- Data Sheet codes change on the first of odd numbered months at 12:01am •

BN674 • A231B276C116 • 21606 • 962410 • 113246 • 41297

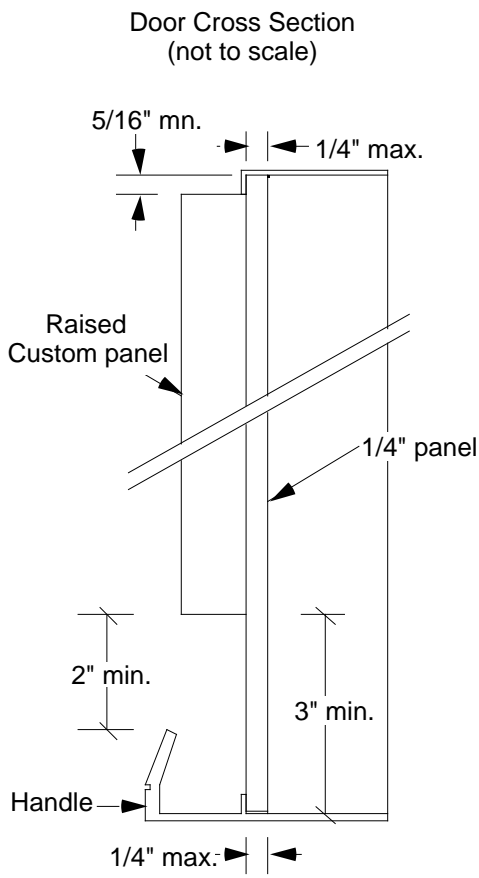
48" Built-In Refrigerators:  
 KSSS48QDX and KSSS48QDW  
 Kits: 4378652, 4378658, 4378655 and 4378661

### Additional Information:

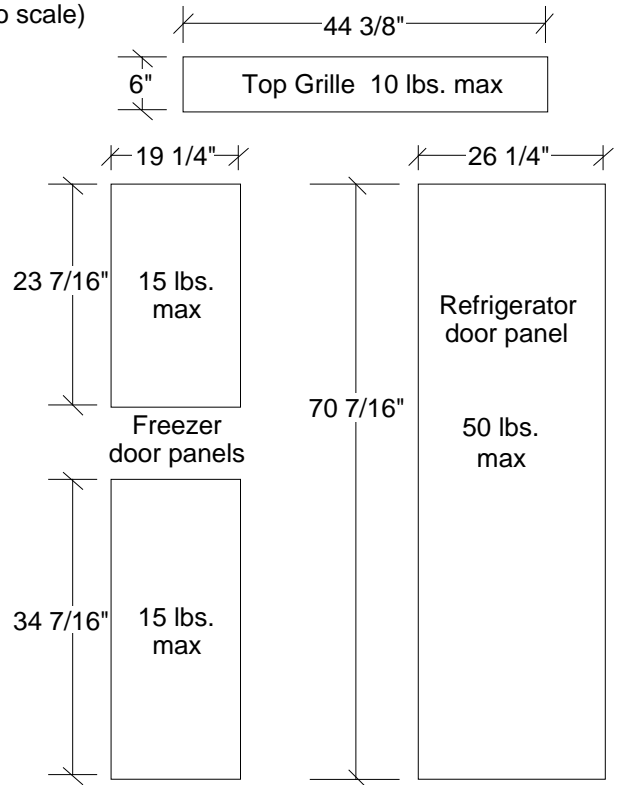
- Custom door panels should be 1/4" thick, with 5/16" offset. Tolerance plus or minus 1/16". Dimensions of door and ventilation panels shown are with routed edges. If custom door panels greater than 1/4" thick are used, it may be necessary to rout the handle side of the panel a minimum of 3" in from the panel edge to provide a 2" minimum access to the door handle. Either the full length of the panel or a selected area(s) can be routed.

### Panel Kits:

- 4378652 (White), 44378658 (Almond), 4378655 (Black) and 4378661 (Stainless steel)



### Door Panels Sizes (not to scale)

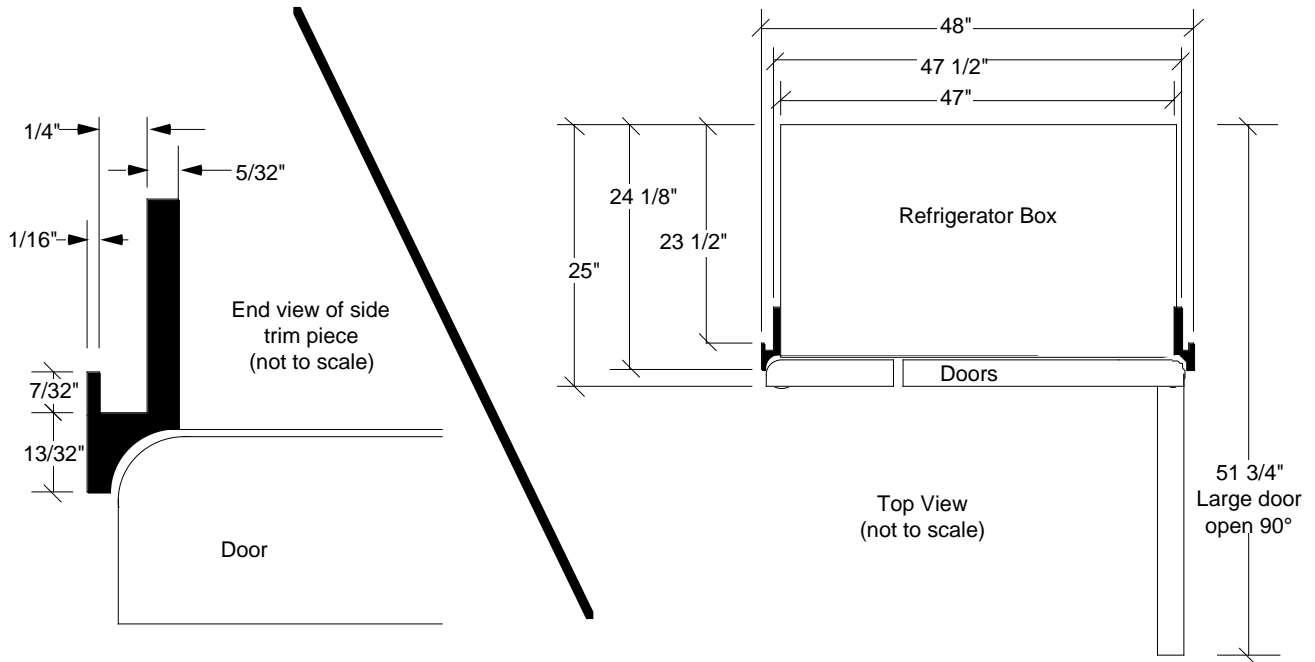


Subject to change without notice. This system is designed to be updated daily if necessary. Dimension Express is not responsible for use of superseded, voided, or outdated data sheets. Because of the difficulty or impracticability of determining actual damages, liability of Dimension Express shall not exceed \$50.00. Copyright © Dimension Express, 1997.

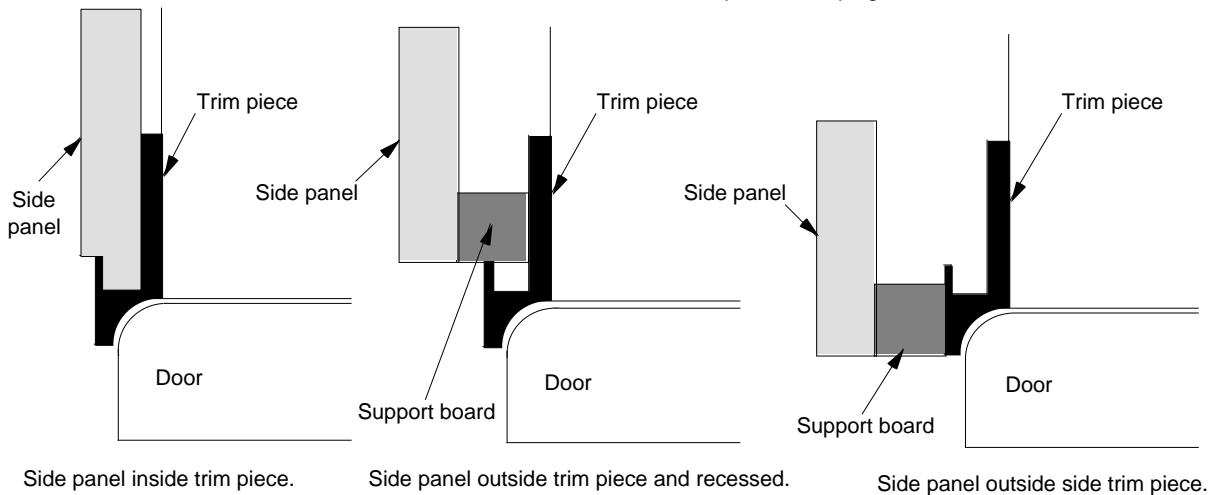
• NEVER reuse Data Sheets. Data Sheets are subject to change without notice. Dimension Express is a FREE service bureau and is updated daily, it makes far more sense to spend the time necessary to request new Data Sheets for each project, as opposed to the problems, time, costs, and risks associated with reusing old Data Sheets.

- Call Dimension Express if you have any questions at (702) 833-3633 •
- Always refer to a current Code at a Glance or manufacturer directory •
- Data Sheet codes change on the first of odd numbered months at 12:01am •

48" Built-In Refrigerators:  
 KSSS48QDX and KSSS48QDW  
 Kits: 4378652, 4378658, 4378655 and 4378661



Side Panel Information: Width and height depend on installation type.  
 Thickness should be at least 1/2" minimum to prevent warping.



Subject to change without notice. This system is designed to be updated daily if necessary. Dimension Express is not responsible for use of superseded, voided, or outdated data sheets. Because of the difficulty or impracticability of determining actual damages, liability of Dimension Express shall not exceed \$50.00. Copyright © Dimension Express, 1997.

• NEVER reuse Data Sheets. Data Sheets are subject to change without notice. Dimension Express is a FREE service bureau and is updated daily, it makes far more sense to spend the time necessary to request new Data Sheets for each project, as opposed to the problems, time, costs, and risks associated with reusing old Data Sheets.

• Call Dimension Express if you have any questions at (702) 833-3633 •  
 • Always refer to a current Code at a Glance or manufacturer directory •  
 • Data Sheet codes change on the first of odd numbered months at 12:01am •